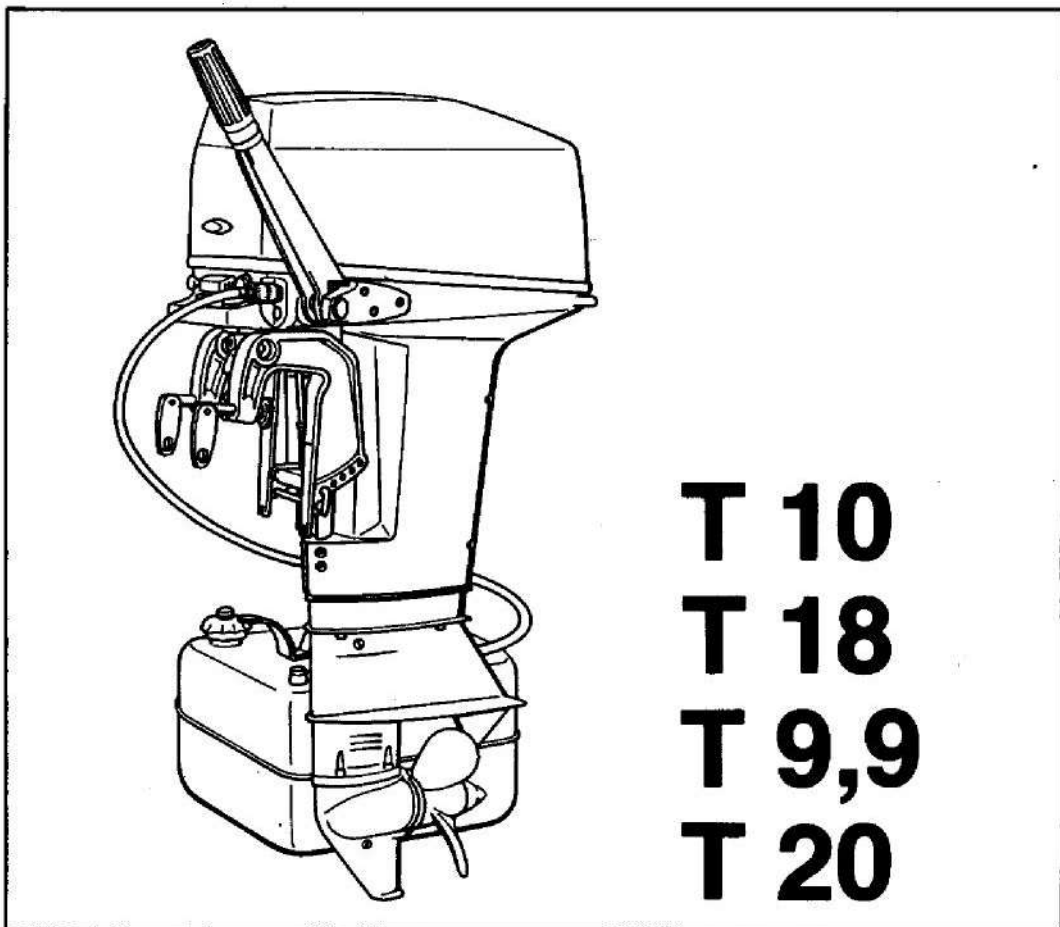


TOMOS



T 10
T 18
T 9,9
T 20

LEGENDA LEGENDE

●
KOMPLET
COMPLET
COMPLET
COMPLETO

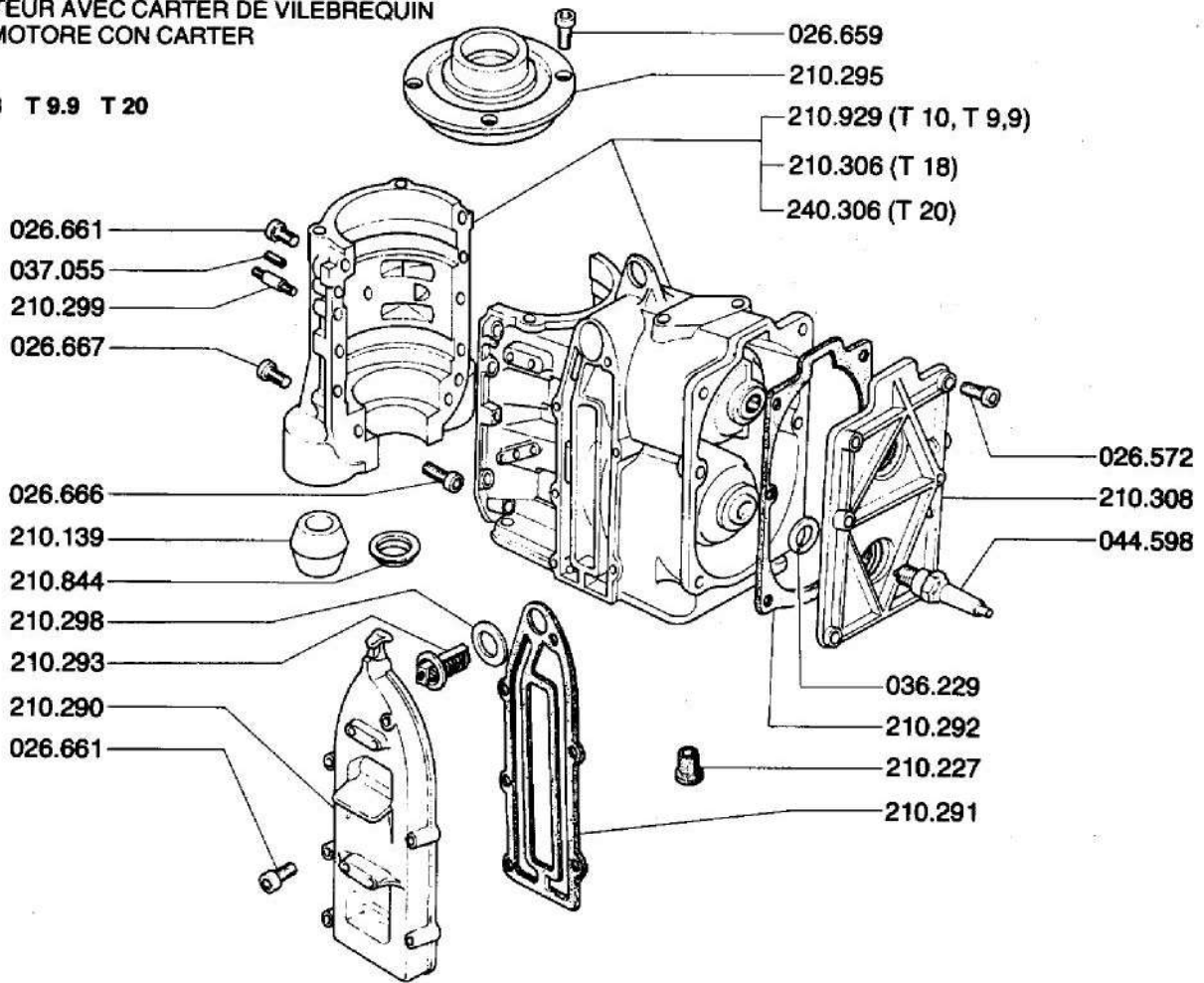
○
SPADA K KOMPLETU
WITH THE COMPLET
AVEC DE COMPLET
CON IL COMPLETO

1988
rezervni deli
spare parts
pièces détachées
parti di ricambio

BLOK MOTORJA Z OHIŠJEM MOTORNE GREDI
ENGINE BLOCK WITH CRANKSHAFT HOUSING
BLOC MOTEUR AVEC CARTER DE VILEBREQUIN
BLOCCO MOTORE CON CARTER

A

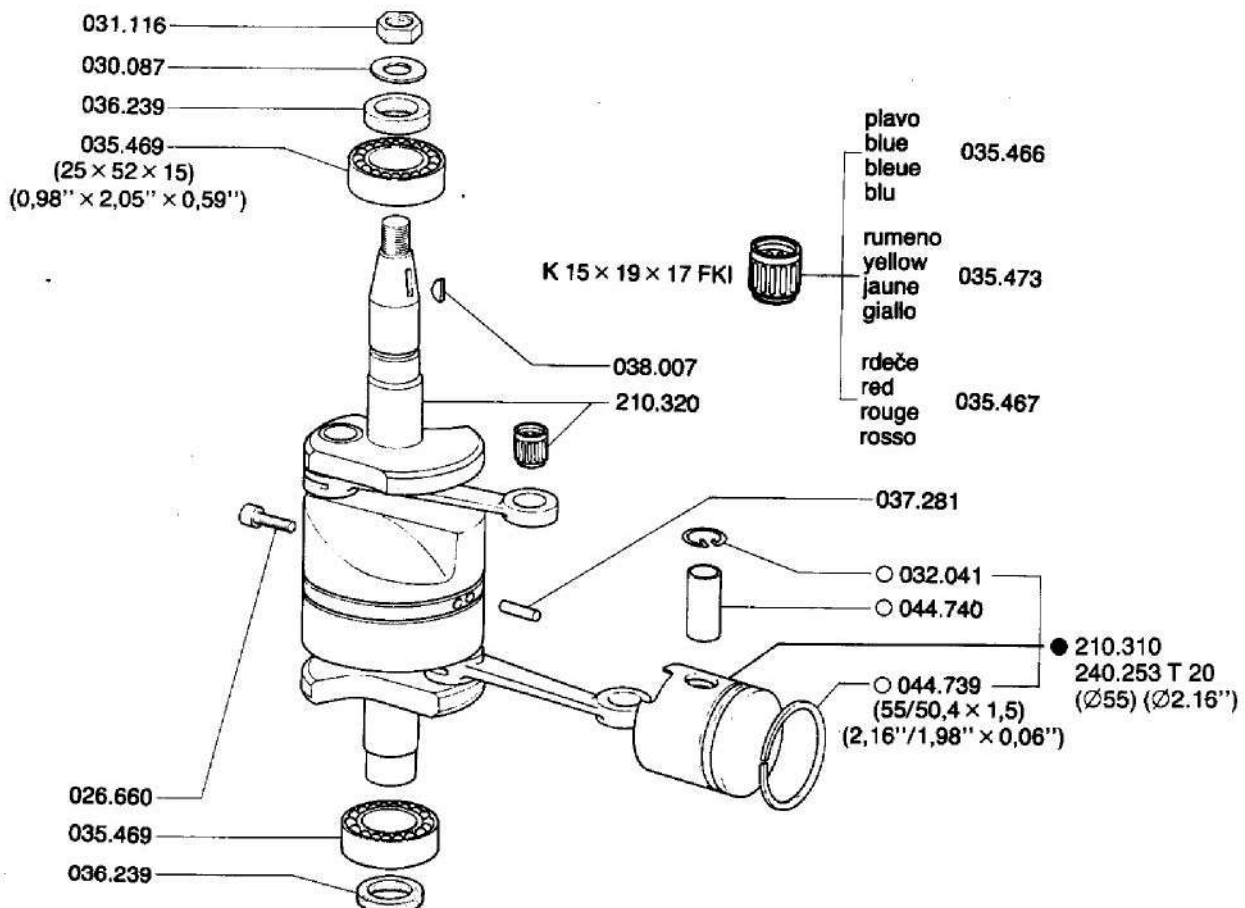
T 10 T 18 T 9.9 T 20



MOTORNA GRED Z BATOMA
CRANKSHAFT WITH PISTONS
VILEBREQUIN AVEC PISTONS
ALBERO MOTORE CON PISTONI

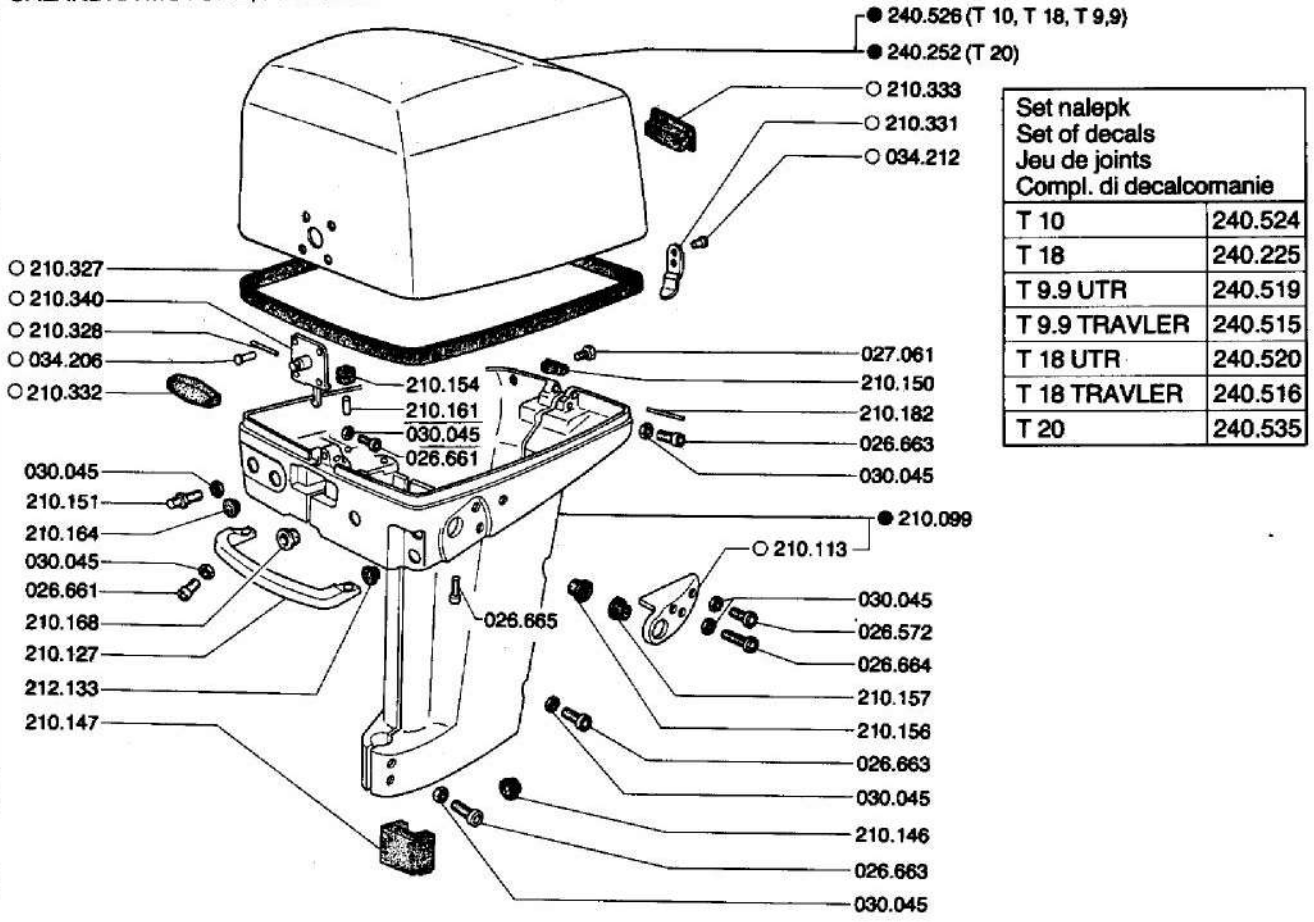
T 10 T 18 T 9.9 T 20

B



OKROV, POKROV
ENGINE HOUSING, ENGINE COVER
COUVERCLE DE MOTEUR, CAPOT DE MOTEUR T 10 T 18 T 9.9 T 20
CALANDRA MOTORE, FIANCATE

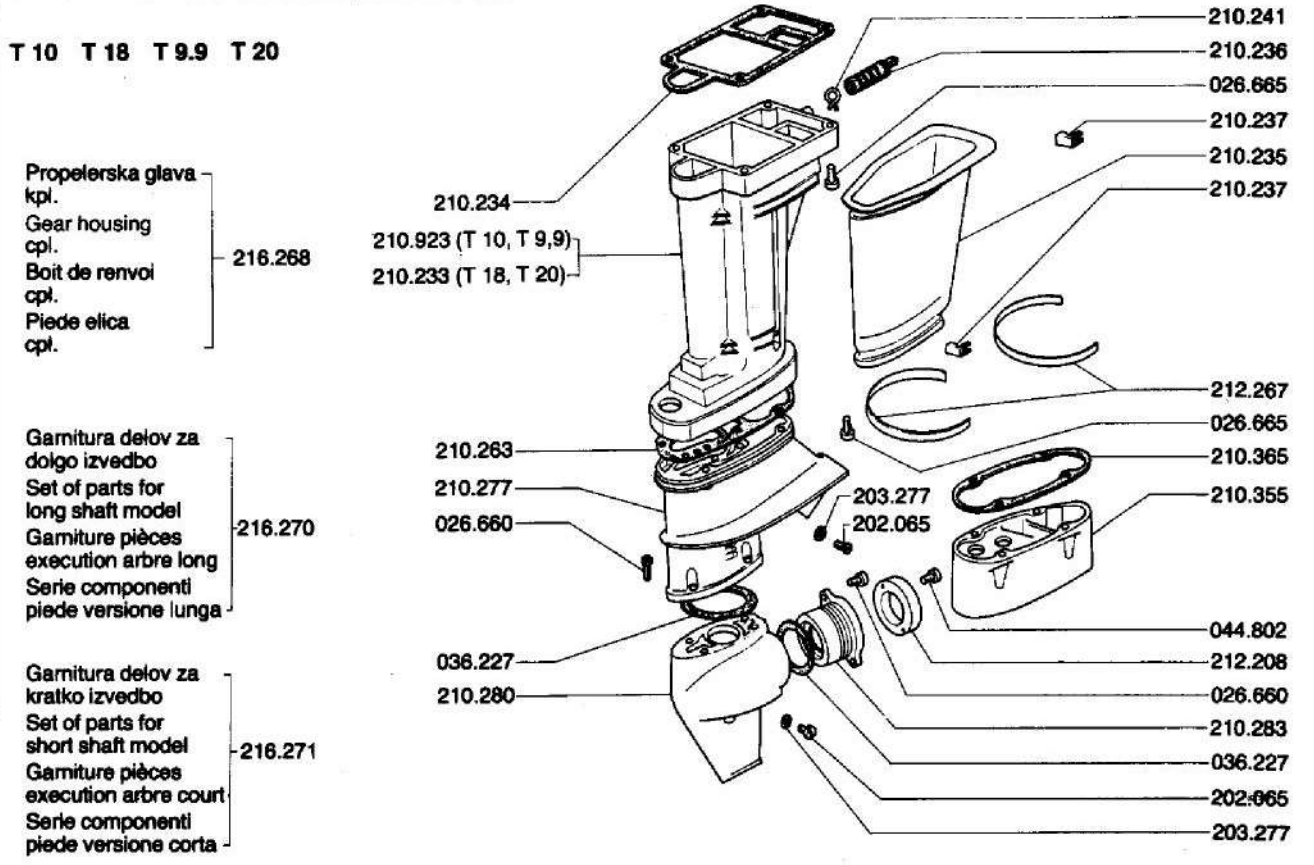
C



SPOJNO OHIŠJE, PROPELERSKA GLAVA
CONNECTION HOUSING, GEAR HOUSING WITH PROPELLER
COUVERCLE DE LIAISON, BOIT DE RENVOI PORT HELICE
CAPOTTATURA DI FISSAGGIO, PIEDE ELICA

D

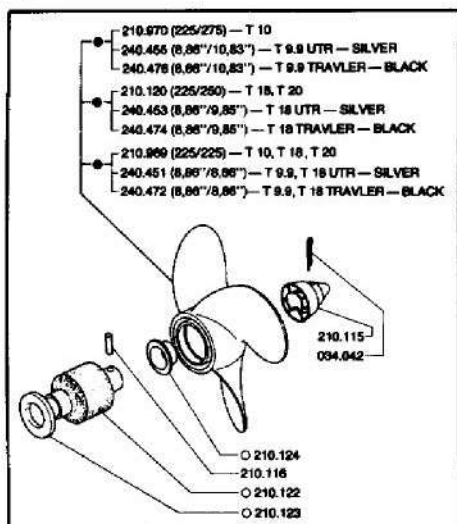
T 10 T 18 T 9.9 T 20



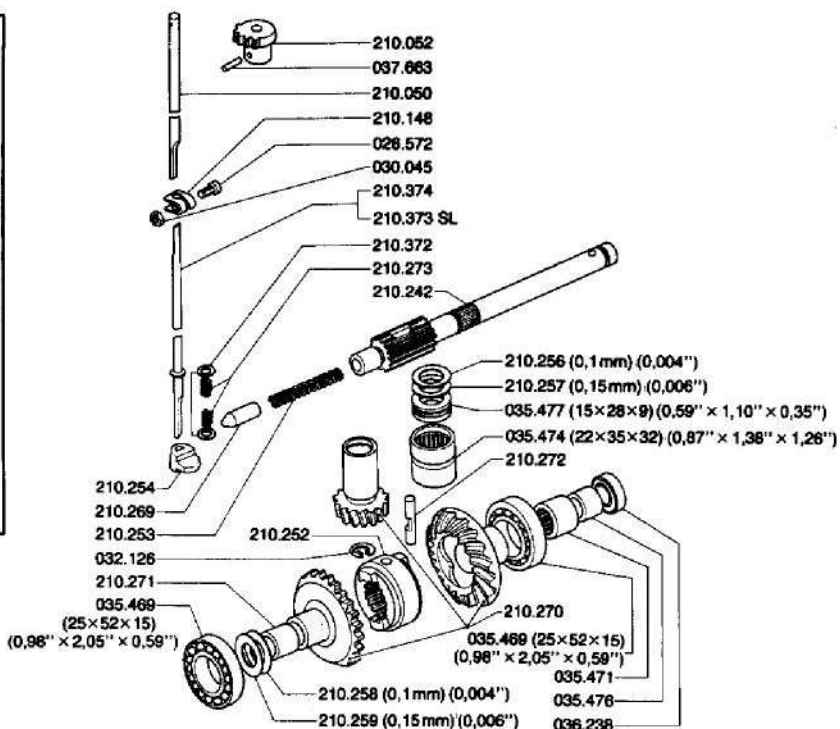
GRED PROPELERJA S PRETIČNIM MEHANIZMOM
PROPELLER SHAFT WITH GEARSHIFT MECHANISM
ARBRE DE HELICE AVEC VITESSE MECHANIQUE
ALBERO ELICA CON CAMBIO

E

T 10 T 18 T 9.9 T 20



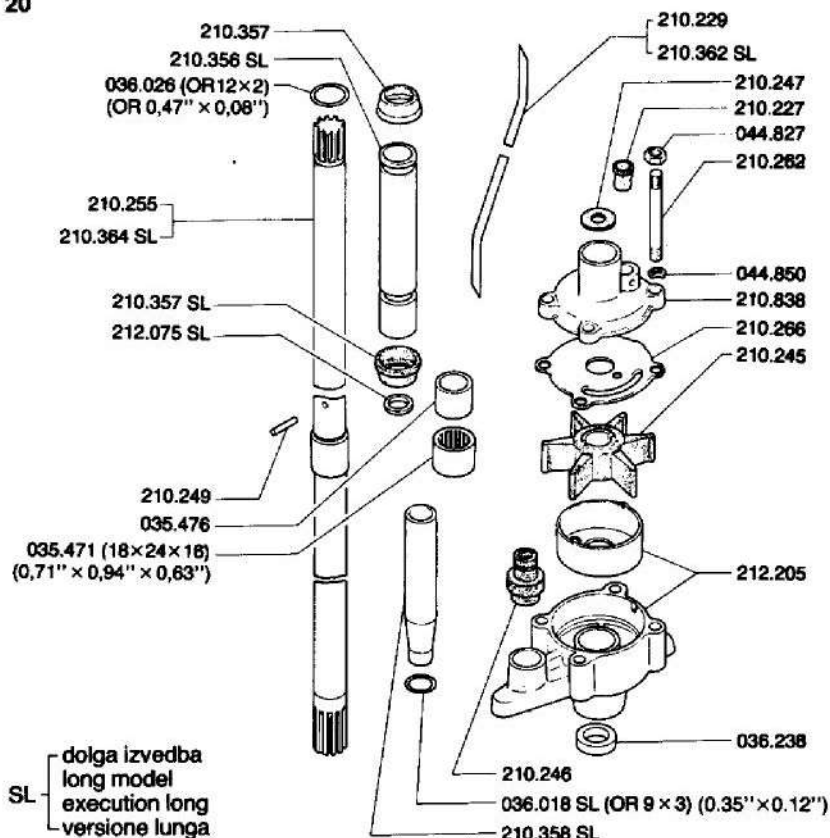
SL } dolga izvedba
 long model
 execution long
 versione lunga



SPOJNA GRED S ČRPALKO
CONNECTING SHAFT WITH WATER PUMP
LIAISON ARBRE AVEC EAU POMPE
ALBERO TRASMISSIONE E POMPA ACQUA

F

T 10 T 18 T 9.9 T 20

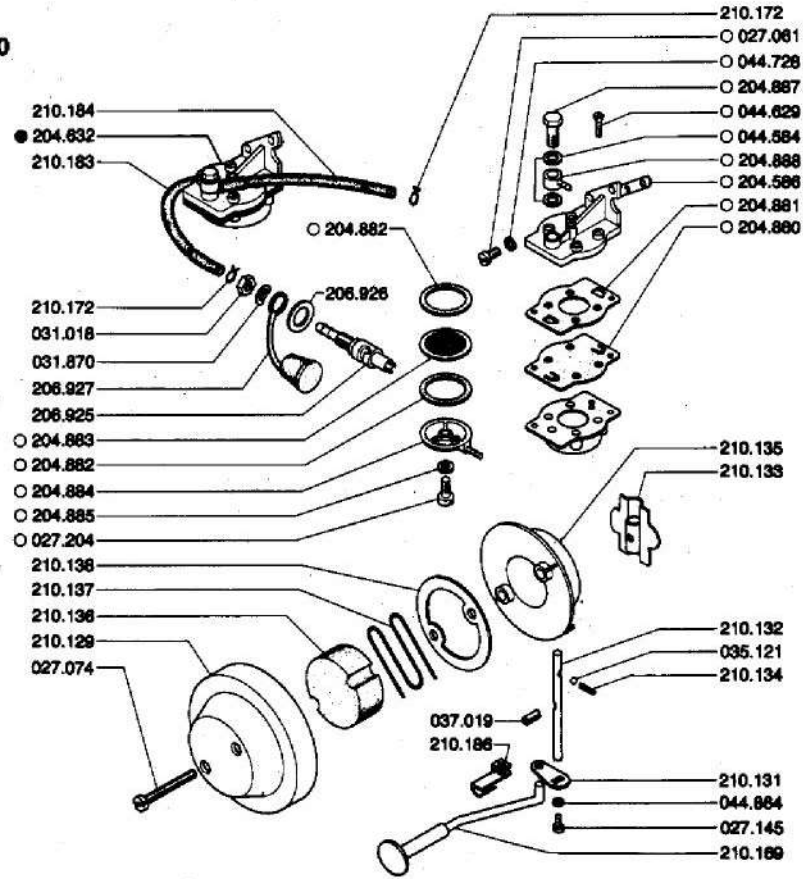


SL } dolga izvedba
 long model
 execution long
 versione lunga

ČRPALKA ZA GORIVO Z DUŠILCEM SESALNIH ŠUMOV
FUEL PUMP WITH INTAKE SILENCER
POMPE DE COMBUSTIBLE AVEC AMORTISSEUR DE BRUITS D'ADMISSION
POMPA CARBURANTE SILENZIATORE D'ASPIRAZIONE

G

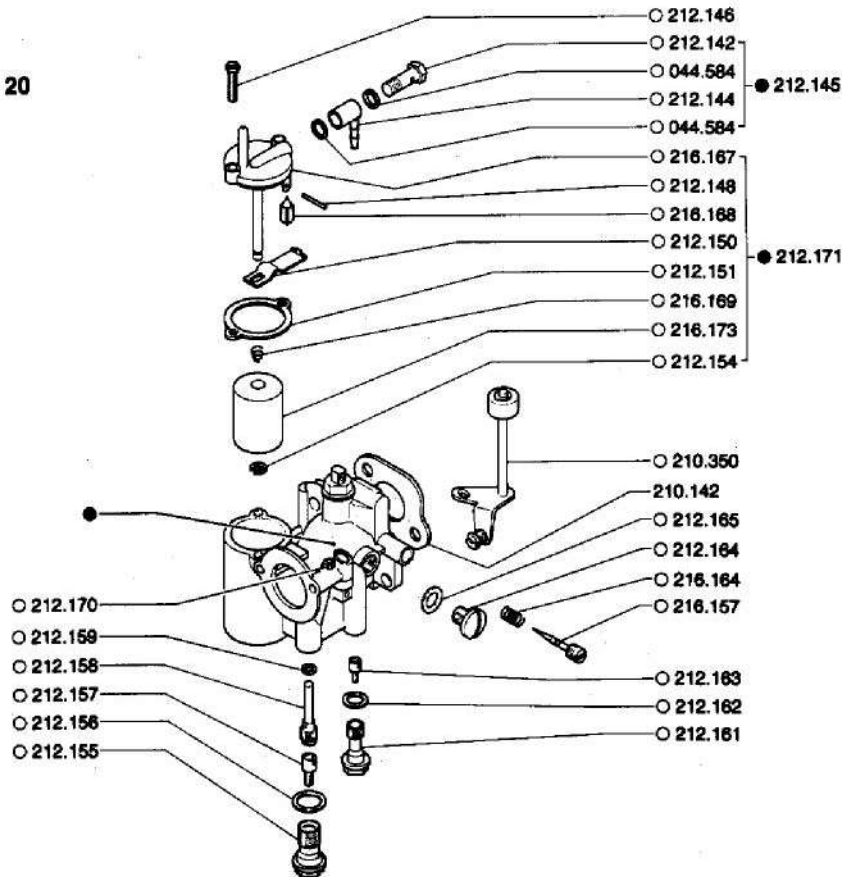
T 10 T 18 T 9.9 T 20



UPLINJAČ
CARBURETTOR ● 212.640 BING (8/22/101)
CARBURATEUR
CARBURATORE

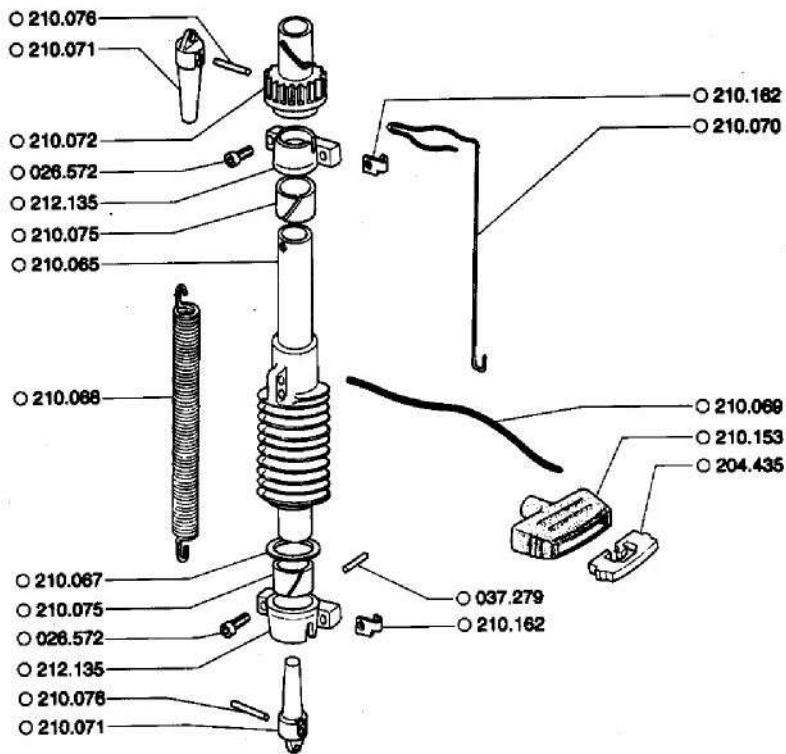
H

T 10 T 18 T 9.9 T 20



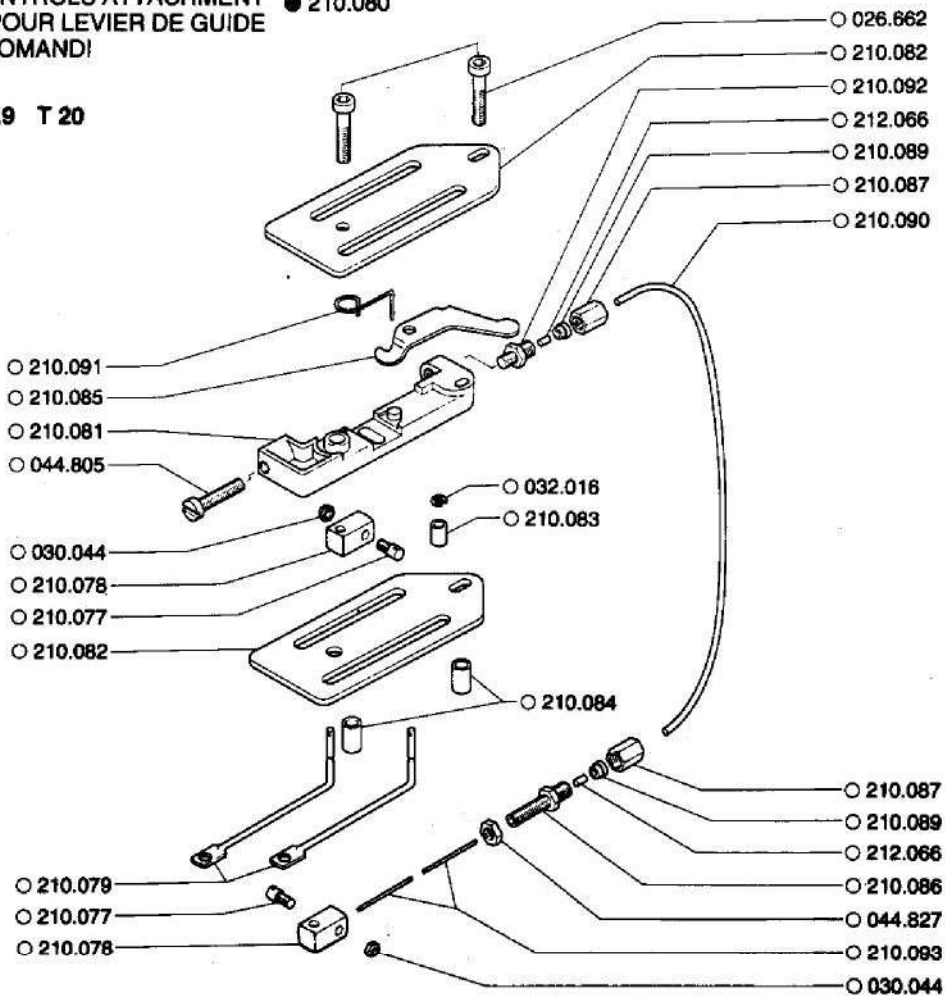
ZAGANJALNA NAPRAVA
 STARTER DEVICE ● 210.060
 DISPOSITIF DE LANCEMENT
 DISPOSITIVO DI AVVIAMENTO

T 10 T 18 T 9.9 T 20



PRIKLJUČEK ZA UPRAVLJANJE
 OPERATING CONTROLS ATTACHMENT ● 210.080
 ATTACHMENT POUR LEVIER DE GUIDE
 ATTACCHI PER COMANDI

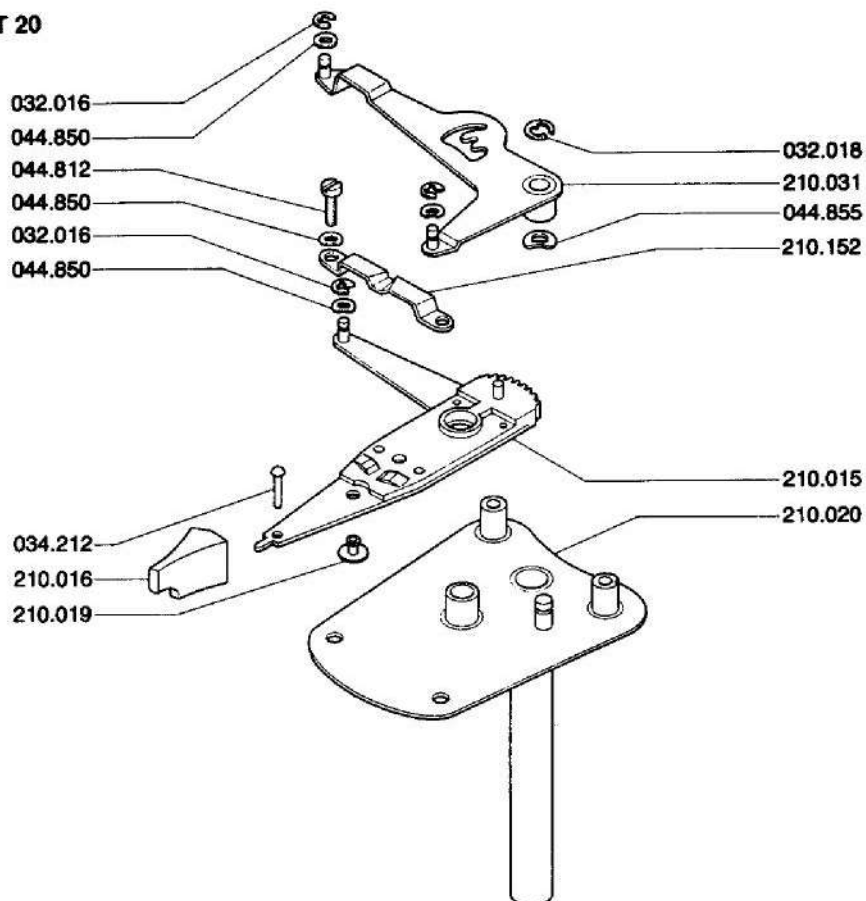
T 10 T 18 T 9.9 T 20



NOSILEC MOTORJA, PRETIČNI VZVOD, VZVOD ZA PLIN
 ENGINE BRACKET, GEARSHIFT LEVER, THROTTLE LEVER
 BRIDE DE MOTEUR, LEVIER DE COMMANDE, LEVIER DE GAZ
 FLANGIA DI SUPPORTO DEL MOTORE, LEVA CAMBIO, LEVA COMANDO GAS

K

T 10 T 18 T 9.9 T 20



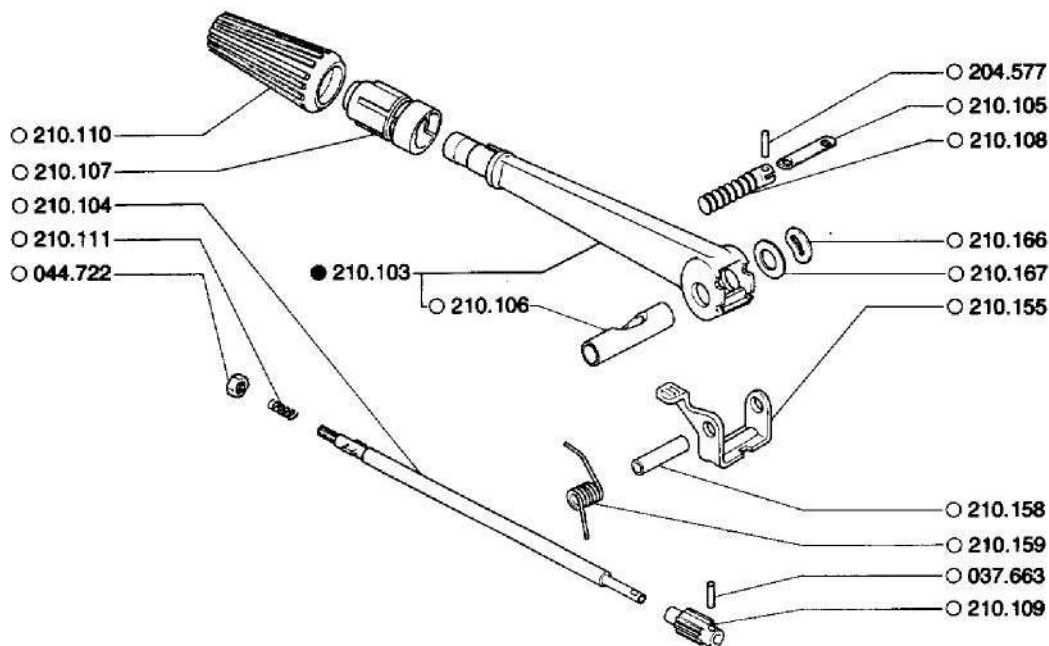
KRMILNA ROČICA
 STEERING HANDLE
 LEVIER DE GUIDE ● 210.100
 BARRA GUIDA

L

T 10 T 18 T 9.9 T 20



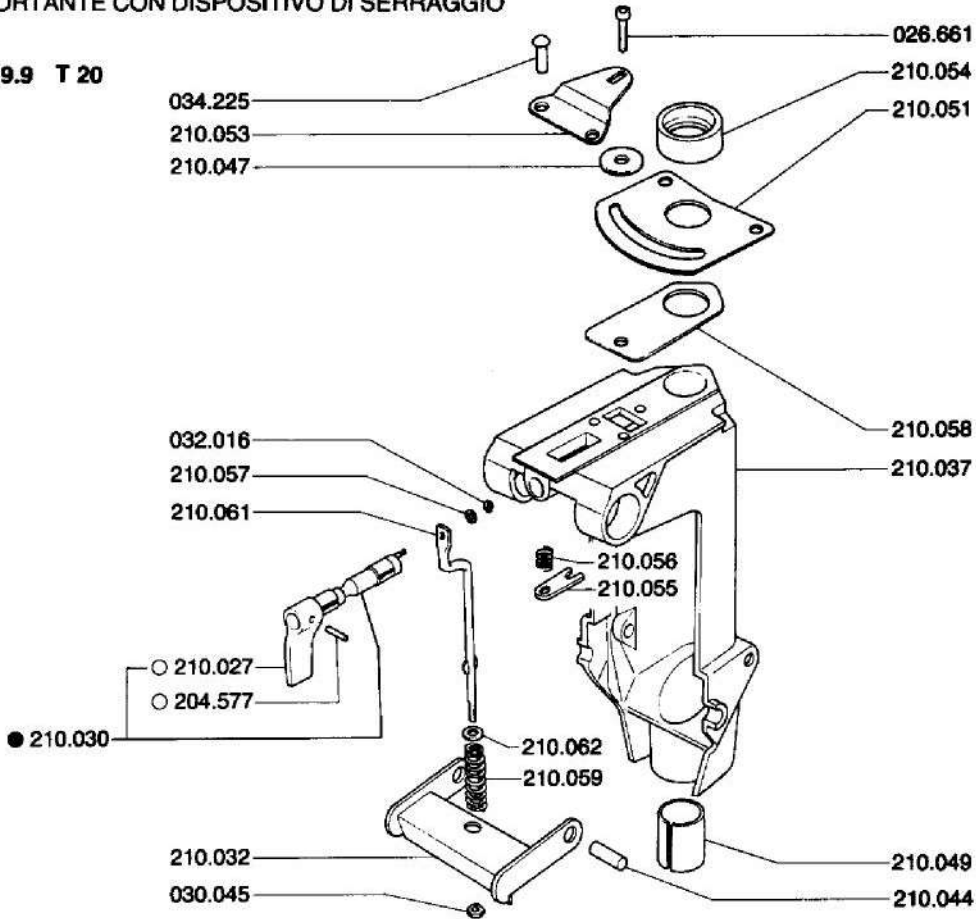
DECAL 240.490 (UTR, TRAVLER)



VODILNA PUŠA Z ZAPORO
 TILT BRACKET WITH LOCKING RELEASE
 ETRIER D'APPUI AVEC DISPOSITIF D'ARRET
 SOSTEGNO PORTANTE CON DISPOSITIVO DI SERRAGGIO

M

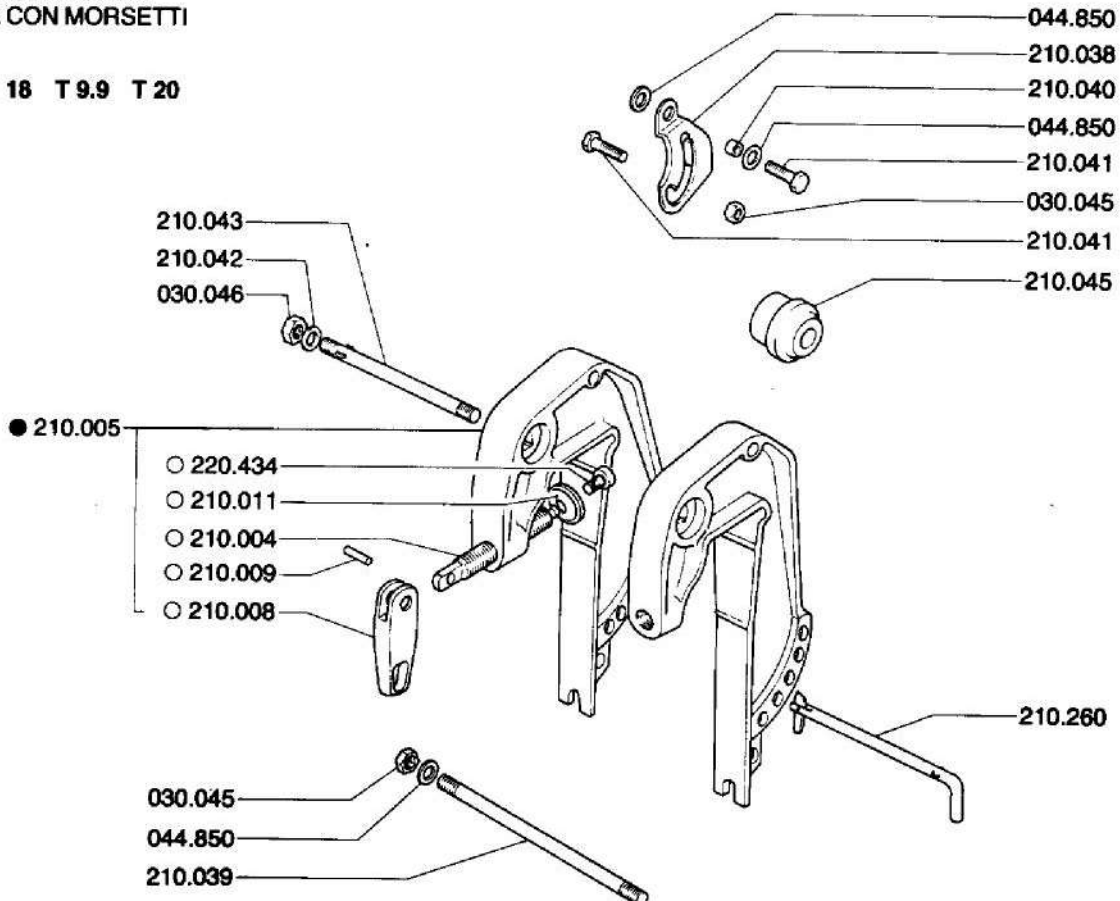
T 10 T 18 T 9.9 T 20



STEZNA PODKEV
 STERN BRACKET
 ETRIER DE FIXATION
 STAFFA CON MORSETTI

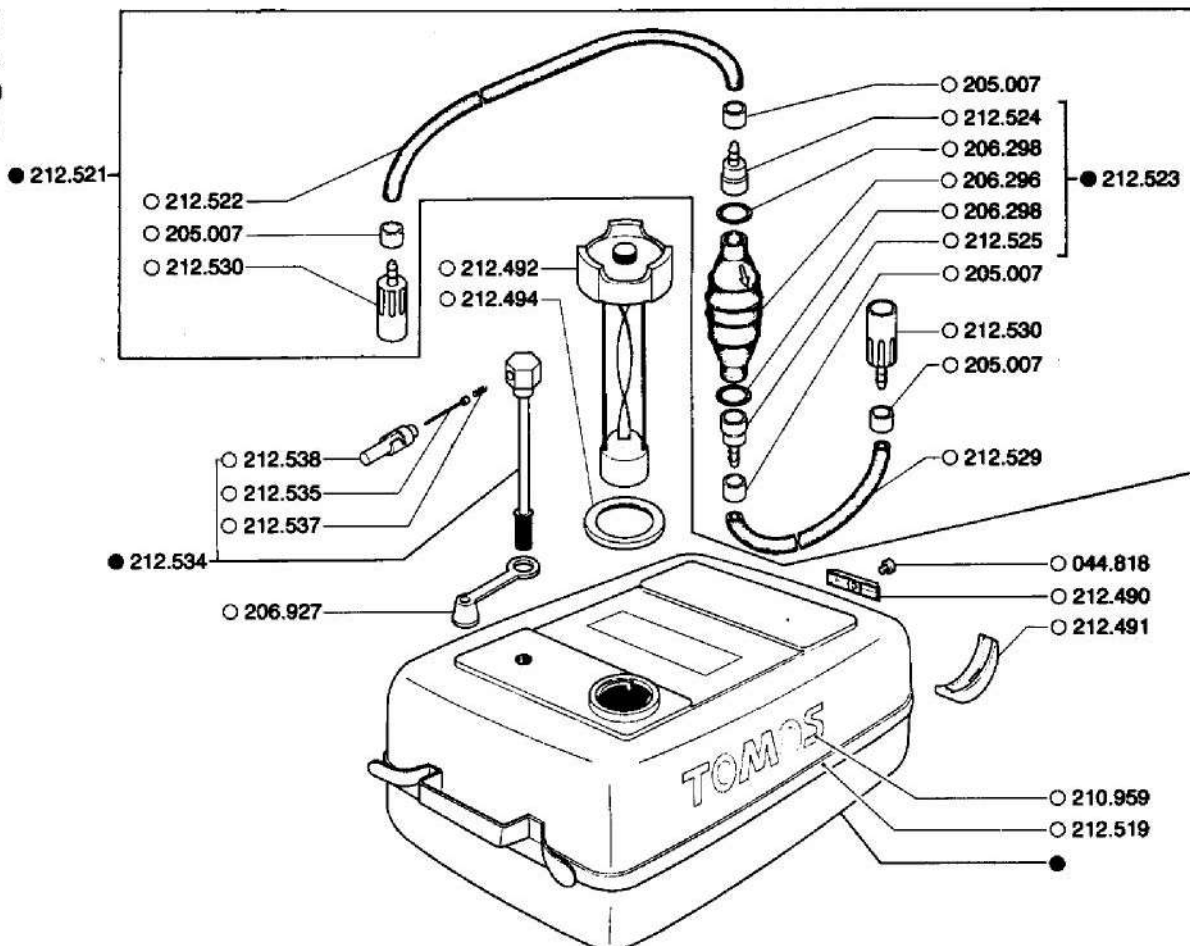
N

T 10 T 18 T 9.9 T 20



REZERVOAR, ROČNA ČRPALKA ZA GORIVO
 FUEL TANK, PRIMER PUMP
 RESERVOIR DE COMBUSTIBLE, POMPE DE COMBUSTIBLE ● 212.500
 SERBATOIO CARBURANTE, POMPA CARBURANTE

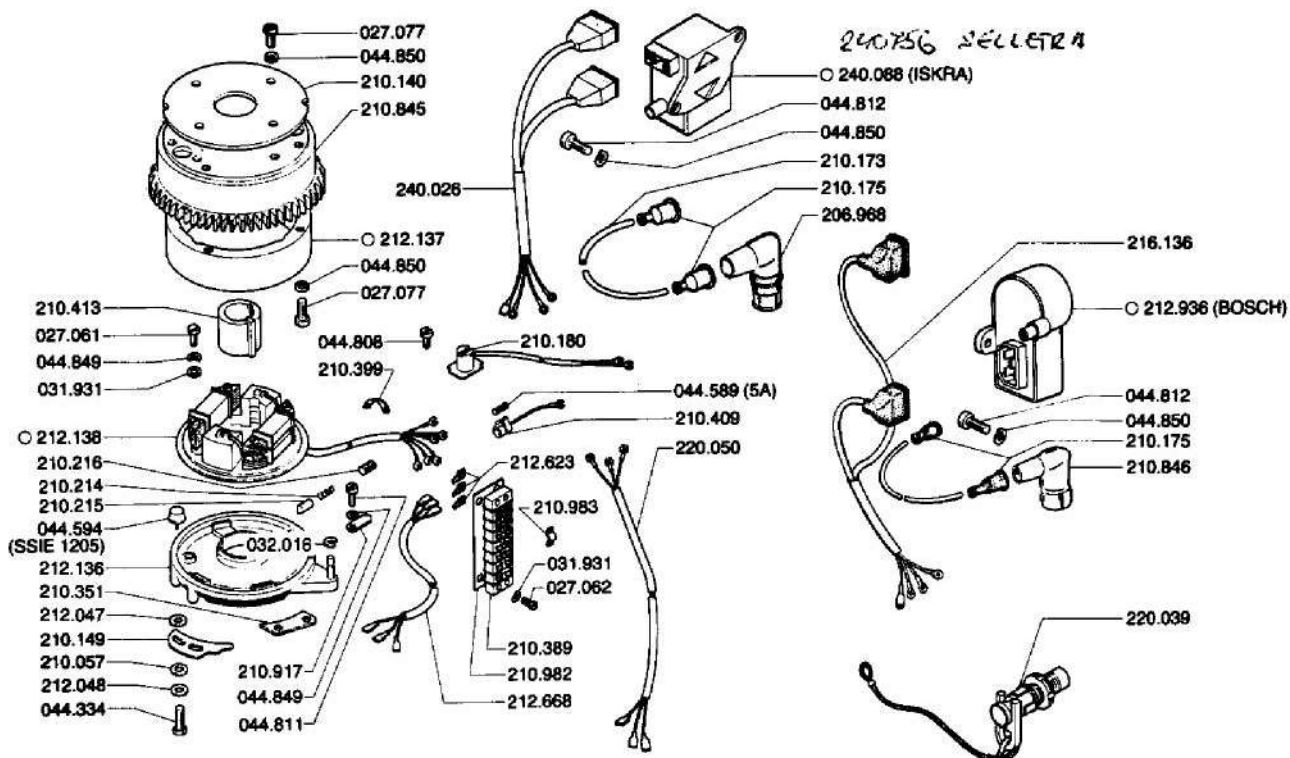
T 10
 T 18
 T 9.9
 T 20



VŽIGALNIK, ELEKTROOPREMA, VZTRAJNIK
 GENERATOR, ELECTRICAL EQUIPMENT, FLYWHEEL
 DYNAMO, EQUIPEMENT ELECTRONIQUE, ROUE VOLANT
 VOLANO MAGNETE

Magnetni vžigalnik ● 212.935 BOSCH P
 Dynamo ● 240.086 ISKRA
 Generator ● 240.086 ISKRA
 Volano magnete

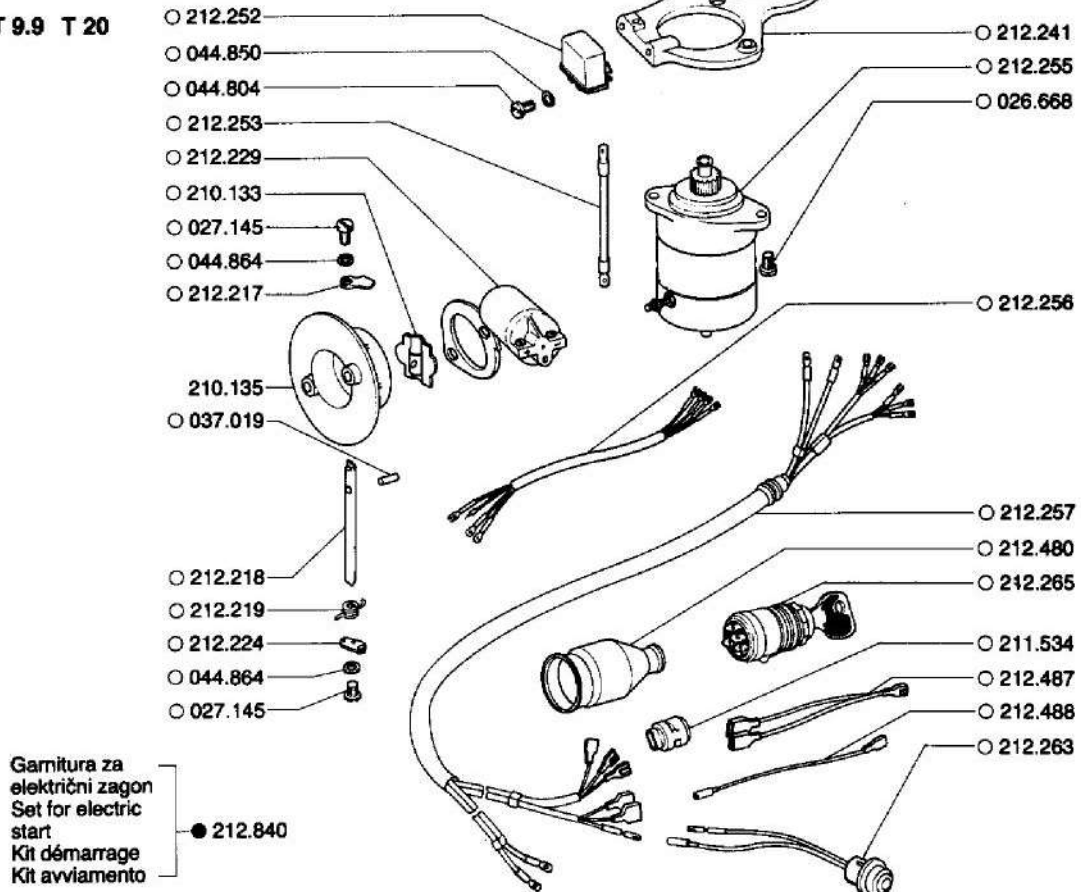
T 10 T 18 T 9.9 T 20



ELEKTRIČNI ZAGANJALNIK
 ELECTRICAL STARTER DEVICE
 DISPOSITIF DE LANCEMENT ELECTRONIQUE
 KIT AVVIAMENTO ELETTRICO

R

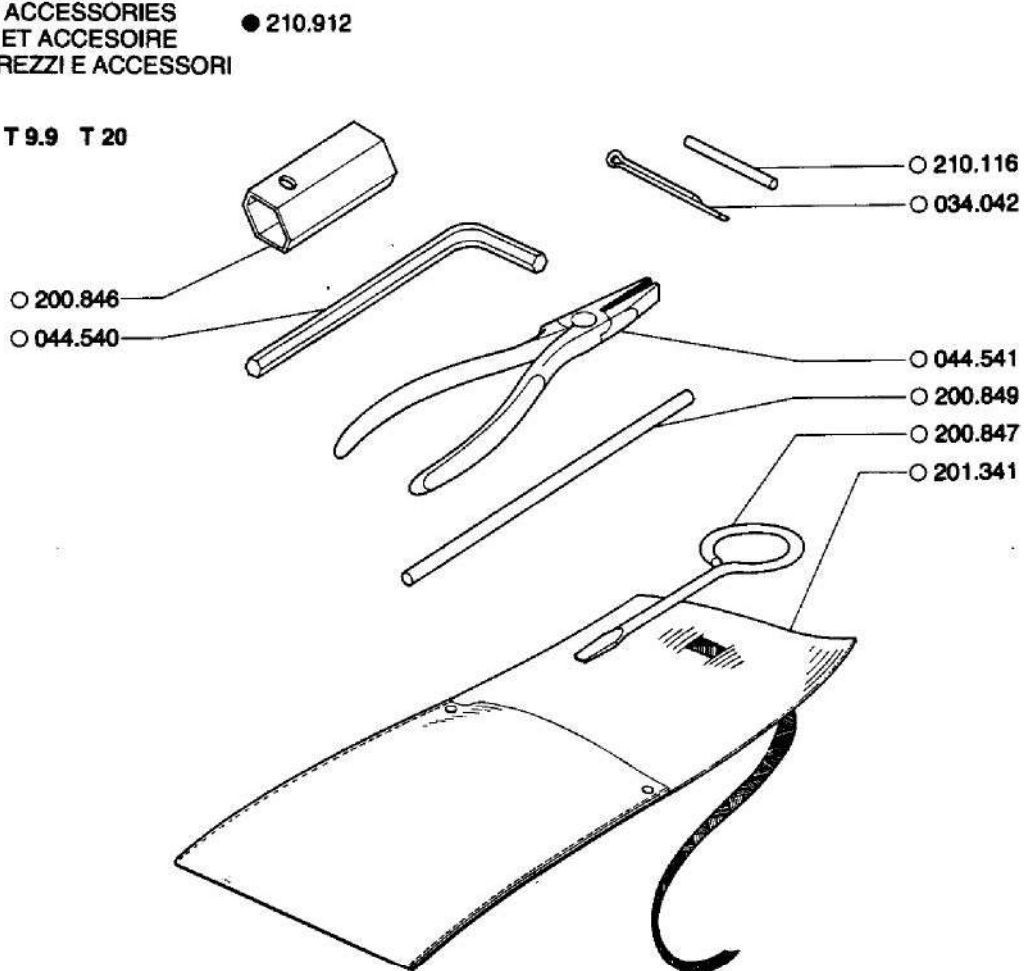
T 10 T 18 T 9.9 T 20



ORODJE IN PRIBOR
 TOOLS AND ACCESSORIES
 OUTILLAGE ET ACCESSOIRE
 BORSA ATTREZZI E ACCESSORI

S

T 10 T 18 T 9.9 T 20



INDEX

Sifra Part No. No. Code N. Cod	Skupina Section Section Gruppo	Naziv Description Designation Denominazione	Sifra Part No. No. Code N. Cod	Skupina Section Section Gruppo	Naziv Description Designation Denominazione
026 572	A,C,E,I	Allen screw M6×25-Inox (M6×0.99")	044 849	P	Spring washer 5-Inox (0.20")
026 659	A	Screw M6×16-Inox (M6×0.63")	044 850	F,K,N,P,R	Spring washer 6-Inox (0.24")
026 660	B,D	Screw M6×20-Inox (M6×0.79")	044 855	K	Spring washer 8-Inox (0.32")
026 661	A,C,M	Screw M6×30-Inox (M6×1.18")	044 864	G,R	Spring washer 3 (0.12")
026 662	J	Screw M6×35-Inox (M6×1.38")	200 846	S	Plug spanner
026 663	C	Screw M6×40-Inox (M6×1.58")	200 847	S	Screw driver
026 664	C	Screw M6×55-Inox (M6×2.17")	200 849	S	Pin
026 665	C,D	Screw M8×25-Inox (M8×0.99")	201 341	S	Tool bag
026 666	A	Screw M8×30-Inox (M8×1.18")	202 065	D	Drain plug
026 667	A	Screw M8×40-Inox (M8×1.58")	203 277	D	Gasket
026 668	R	Screw M8×20-Inox (M8×0.79")	204 435	I	Clamp plate
027 061	C,G,P	Screw M5×16-Inox (M5×0.63")	204 577	L,M	Pin
027 062	P	Screw M5×20-Inox (M5×0.79")	204 586	G	Gasket
027 074	G	Screw M5×50 (M5×1.97")	204 632	G	Fuel pump
027 077	P	Screw M6×10 (M6×0.39")	204 880	G	Diaphragm
027 145	G,R	Screw M3×6 (M3×0.24")	204 881	G	Gasket
027 204	G	Screw M4×12 (M4×0.47")	204 882	G	Seal ring
030 044	J	Nut M5 selflocking-Inox	204 883	G	Filler
030 045	C,E,M,N	Nut M6 selflocking-Inox	204 884	G	Cover
030 046	N	Nut M8 selflocking-Inox	204 885	G	Seal washer 4×8 (0.16"×0.32")
030 087	B	Spring washer 28×14×2×1,5 (1.10"×0.55"×0.08"×0.06")	204 887	G	Banjo bolt
031 018	G	Nut M8×1-flat (M8×0.04")	204 888	O	Banjo
031 116	B	Nut M14×1,5 (M14×0.06")	205 007	G	Clamp ring
031 870	G	Spring washer 8 (0.32")	206 007	O	Primer pump cpl.
031 931	P	Washer 5 (0.20")	206 296	O	Clamping ring
032 016	J,K,M,P	Circlip 4-Inox (0.16")	206 298	O	Clamping ring
032 018	K	Circlip 6 (0.24")	206 925	G	Nipple
032 041	B	Circlip 15 (0.59")	206 926	G	Washer
032 126	E	Circlip J 15 (J 0.59")	206 927	G,O	Rubber cap
034 042	E,S	Split pin 3,2×32-Inox (0.13"×1.26")	206 968	P	Spark plug cap
034 206	C	Rivet 3×10-ALU (0.12"×0.39")	210 004	N	Clamping screw
034 212	C,K	Rivet 4×12-ALU (0.16"×0.47")	210 005	N	Stern bracket
034 225	M	Rivet 5×16-ALU (0.20"×0.63")	210 008	N	Handle
035 121	G	Ball 4 mm (0.16")	210 009	N	Pin
035 466	B	Needle bearing 15×19×17-Blue (0.59"×0.75"×0.67")	210 011	N	Clamping screw pad
035 467	B	Needle bearing 15×19×17-Red (0.59"×0.75"×0.67")	210 015	K	Shift lever
035 469	B,E	Ball bearing 6205P6	210 016	K	Button
035 471	E,F	Needle bearing DHK 1816	210 020	K	Bracket
035 473	B	Needle bearing 15×19×17-Yellow (0.59"×0.75"×0.67")	210 027	M	Lever
035 474	E	Needle bearing RNAF 22×35×32 (0.87"×1.38"×1.26")	210 030	M	Locking pin cpl.
035 476	E,F	Bearing ring 15×18×16,5 (0.59"×0.71"×0.65")	210 031	M	Throttle lever
035 477	E	Bearing 81 102 TN	210 032	K	Locking release
036 018	F	O-ring 9×3 (0.35"×0.12")	210 037	M	Bracket
036 026	F	O-ring 12×2 (0.47"×0.08")	210 038	N	Support
036 227	D	O-ring 59×3 (2.32"×0.12")	210 039	N	Pin
036 229	A	O-ring 25×3 (0.99"×0.12")	210 040	N	Distance bush
036 238	E,F	Seal 15×24×7-Inox (0.59"×0.95"×0.28")	210 041	N	Screw
036 239	B	Seal 22×35×6 (0.87"×1.38"×0.24")	210 042	N	Spring washer
037 019	G,R	Spring pin 2,5×6 (0.10"×0.24")	210 043	N	Tilt bracket tube
037 055	A	Spring pin 5×18 (0.20"×0.71")	210 044	M	Pin
037 279	I	Pin 5×16 (0.20"×0.63")	210 045	N	Guide bearing
037 281	B	Pin 5×20 (0.20"×0.79")	210 047	M	Ring
037 663	E,L	Slotted pin 3×16 (0.12"×0.63")	210 049	M	Bearing bush
038 007	B	Woodruff key 4×5 (0.16"×0.20")	210 050	E	Shift rod
044 334	P	Screw M5×16-Inox (M5×0.63")	210 051	M	Plate
044 540	S	Allen screw spanner	210 052	E	Shift gear
044 541	S	Flatnose pliers	210 053	M	Clamp plate
044 584	G,H	Seal washer 8×12 (0.32"×0.47")	210 054	M	Ring
044 589	P	Fuse 5A	210 055	M	Lug
044 594	P	Diode	210 056	M	Spring
044 598	A	Spark plug Bosch W5AC	210 057	M,P	Washer
044 629	G	Screw M4×10 (M4×0.39")	210 058	M	Plate
044 722	L	Nut M8-nylon	210 059	M	Spring
044 728	G	Seal washer 5×9 (0.20"×0.35")	210 060	I	Starter device cpl.
044 739	B	Piston ring 55×50,4×1,5 (2.17"×1.99"×0.06")	210 061	M	Locking release lever
044 740	B	Gudgeon pin 15 mm (0.59")	210 062	M	Washer
044 802	D	Screw M5×14-Inox (M5×0.55")	210 065	I	Starter rope spindle
044 804	R	Screw M6×20-Inox (M6×0.79")	210 067	I	Washer
044 805	J	Screw M6×25-Inox (M6×0.99")	210 068	I	Spring
044 808	P	Screw M4×6-Inox (M4×0.24")	210 069	I	Starter rope
044 811	P	Screw M5×8-Inox (M5×0.32")	210 070	I	Spring
044 812	K,P	Screw M6×12-Inox (M6×0.47")	210 071	I	Insert piece
044 818	O	Screw M5×6-Inox (M5×0.24")	210 072	I	Starter gear
044 827	F,J	Nut M6-Inox	210 075	I	Bearing bush
			210 076	I	Pin
			210 077	J	Locking pin
			210 078	J	Nipple
			210 079	J	Rod
			210 080	J	Operating controls
			210 081	J	Connecting block
			210 082	J	Guide plate
			210 083	J	Bush
			210 084	J	Bush
			210 085	J	Locking lever
			210 086	J	Adjusting nipple

INDEX

Sifra Part No. No. Code N. Cod	Skupina Section Section Gruppo	Naziv Description Designation Denominazione	Sifra Part No. No. Code N. Cod	Skupina Section Section Gruppo	Naziv Description Designation Denominazione
210 087	J	Nut	210 249	F	Pin
210 089	J	Clamp bushing	210 252	E	Clutch
210 090	J	External cable	210 253	E	Spring
210 091	J,K	Spring	210 254	E	Gearshift cam
210 092	J	Adjusting nipple	210 255	F	Union tube-SS
210 093	J	Internal cable	210 256	E	Shim 0,1 m (0.004")
210 099	C	Cover set	210 257	E	Shim 0,15 mm (0.006")
210 100	L	Steering handle cpl.	210 258	E	Shim 0,1 mm (0.004")
210 103	L	Twist rod	210 259	E	Shim 0,15 mm (0.006")
210 104	L	Steering handle rod	210 260	N	Tilt adjusting pin
210 105	L	Link	210 262	F	Stud bolt
210 106	L	Guide bush	210 263	D	Gasket
210 107	L	Twist bush	210 266	F	Plate
210 108	L	Regulating rod	210 269	E	Gearshift pin
210 109	L	Twist segment	210 270	E	Gear set cpl.
210 110	L	Rubber grip	210 272	E	Locking pin
210 111	L	Spring	210 273	E	Spring
210 113	C	Steering arm support	210 277	D	Connection housing
210 115	E	Propeller cap	210 280	D	Gear housing
210 116	E,S	Shear pin	210 283	D	Flange
210 120	E	Propeller 225/250	210 290	A	Exhaust cover
210 122	E	Propeller hub	210 191	A	Gasket
210 123	E	Clamp ring	210 292	A	Gasket
210 124	E	Bush	210 293	A	Thermostat
210 127	C	Carrying handle	210 295	A	Bearing flange
210 129	G	Silencer cap	210 298	A	Rubber ring
210 131	G	Choke lever	210 299	A	Stud bolt
210 132	G	Choke spindle	210 306	A	Engine block-T 18
210 133	G,R	Choke valve	210 308	A	Cover
210 134	G	Spring	210 310	B	Piston 55 mm
210 135	G,R	Choke plate	210 320	B	Crankshaft
210 136	G	Air filter	210 327	C	Rubber border ring
210 137	G	Safety wire	210 328	C	Pin
210 138	G	Plate	210 331	C	Hook
210 139	A	Rubber bush	210 332	C	Button
210 140	P	Flywheel cover	210 333	C	Grip
210 142	H	Intake gasket	210 340	C	Excenter cpl.
210 146	C	Rubber cap	210 350	H	Control rod
210 147	C	Rubber block	210 351	P	Plate
210 148	E	Connecting clamp	210 355	D	Extension
210 149	P	Adjusting plate	210 356	F	Extension tube
210 150	C	Support	210 357	F	Rubber ring.
210 151	C	Excenter screw	210 358	F	Extension tube
210 152	K	Guide strip	210 362	F	Water tube-LS
210 153	I	Starter grip	210 364	F	Union tube-LS
210 154	L	Roller	210 365	D	Gasket
210 155	C	Locking lever	210 372	E	Ring
210 156	C	Bushing	210 373	E	Gearshift rod-LS
210 157	C	Cap	210 374	E	Gearshift rod-SS
210 158	L	Distance tube	210 389	P	Connection strip
210 159	L	Spring	210 399	P	Clamp strip
210 161	C	Pin	210 409	P	Fuse holder
210 162	I	Plate	210 413	P	Guide bush
210 164	C	Cap	210 838	F	Pump cover
210 166	L	Spring washer	210 844	A	Ring
210 167	L	Washer	210 845	P	Flywheel
210 168	C	Ring	210 846	P	Spark plug cap
210 169	G	Choke button	210 912	S	Toolset
210 172	G	Wire clamp	210 917	P	Fixing plate
210 173	P	Ignition cable per meter/ inch (0,2 m) (0.79")	210 923	D	Connection housing-T10
210 175	P	Rubber	210 929	A	Engine block-T 10
210 180	P	Thermoswitch	210 959	O	Decal =TOMOS=
210 182	C	Pin	210 969	E	Propeller 225/225
210 183	G	Fuel line per meter/inch (0,2 m) (0.79")	210 970	E	Propeller 225/275
210 184	G	Fuel line per meter/inch (0,3 m) (1.18")	210 982	P	Insulating plate
210 186	G	Clip	210 983	P	Bridge piece
210 214	P	Spring	211 534	R	Diode
210 215	P	Stopper	212 047	P	Washer
210 216	P	Plug	212 048	P	Washer
210 227	A,F	Seal rubber	212 066	J	Bush
210 229	F	Water tube-SS	212 075	F	Rubber ring
210 233	D	Connection housing T18	212 133	C	Rubber cap
210 234	D	Gasket	212 135	I	Bearing support
210 235	D	Rubber shroud	212 136	P	Plate
210 236	D	Release tube	212 137	P	Flywheel
210 237	D	Clamp	212 138	P	Stator assy cpl.
210 241	D	Wire clamp	212 144	H	Banjo
210 242	E	Propeller shaft	212 146	H	Screw
210 245	F	Waterpump wheel	212 148	H	Pin
210 246	F	Sealing guide	212 148	H	Lever
210 247	F	Seal ring	212 150	H	Gasket
			212 151	H	Gasket
			212 154	H	Clip
			212 155	H	Jet holder
			212 156	H	Sealing washer

INDEX

Šifra Part No. No. Code N. Cod	Skupina Section Section Gruppo	Naziv Description Designation Denominazione	Šifra Part No. No. Code N. Cod	Skupina Section Section Gruppo	Naziv Description Designation Denominazione
212 157	H	Jet 115	240 476	E	Propeller (TRAVLER-BLACK) (8.86"×10.83")
212 158	H	Mixer tube			
212 159	H	Sealing washer			
212 161	H	Jet holder	240 490	L	Decal
212 162	H	Sealing washer	240 515	C	Set of decals
212 163	H	Jet 45	240 516	C	Set of decals
212 164	H	Plug	240 519	C	Set of decals
212 165	H	Sealing washer	240 520	C	Set of decals
212 170	H	Jet 85	240 523	D	Decal
212 171	H	Float + cover cpl.	240 524	C	Set of decals
212 205	F	Pump body cpl.	240 526	C	Engine cover
212 208	D	Anodic ring			
212 217	R	Lever			
212 218	R	Choke axle			
212 219	R	Spring			
212 224	R	Lever			
212 229	R	Choke relay			
212 241	R	Support of starter			
212 252	R	Starting relay			
212 253	R	Cable			
212 255	R	Starter engine			
212 256	R	Cable harness			
212 257	R	Cable harness			
212 263	R	Choke button			
212 265	R	Ignition switch			
212 267	D	Clamp strip-Inox			
212 480	R	Rubber cover			
212 487	R	Cable			
212 488	R	Cable			
212 490	O	Protective strip			
212 491	O	Protective support			
212 492	O	Filler cap cpl.			
212 494	O	Rubber ring			
212 500	O	Fuel tank cpl. 24 liter (6.34 US gal.)			
212 519	O	Cover border ring			
212 521	O	Fuel line cpl.			
212 522	O	Fuel line per meter/inch (0,2 m) (0.79")			
212 523	O	Primer pump cpl.			
212 524	O	Nipple with valve			
212 525	O	Nipple			
212 529	O	Fuel line per meter/inch (1,0 m) (3.94")			
212 530	O	Connector			
212 534	O	Suction pipe cpl.			
212 535	O	Valve			
212 537	O	Spring			
212 538	O	Nipple			
212 623	P	Connecting lug			
212 640	H	Carburettor			
212 668	P	Cable			
212 840	P	Electric start set cpl.			
212 935	P	Ignition cpl.			
212 936	P	Electronic box (BOSCH)			
216 136	H	Cable			
216 157	H	Air setting screw			
216 167	H	Cover			
216 168	H	Float valve			
216 169	H	Spring			
216 173	H	Float			
216 268	D	Gear housing cpl.			
216 270	D	Transfer kit LS-SS			
216 271	D	Transfer kit SS-LS			
216 339	A	Block with pistons cpl-T 18			
216 343	A	Block with pistons cpl-T 10			
220 039	P	Stop switch			
220 050	P	Cable			
220 434	N	Plug			
240 026	P	Cable			
240 086	P	Ignition cpl.			
240 088	P	Electronic box (ISKRA)			
240 225	C	Set of decals			
240 451	E	Propeller (UTR-SILVER) (8.86"×8.86")			
240 453	E	Propeller (UTR-SILVER) (8.86"×9.85")			
240 455	E	Propeller (UTR-SILVER) (8.86"×10.83")			
240 472	E	Propeller (TRAVLER-BLACK) (8.86"×8.86")			
240 474	E	Propeller (TRAVLER-BLACK) (8.86"×9.85")			